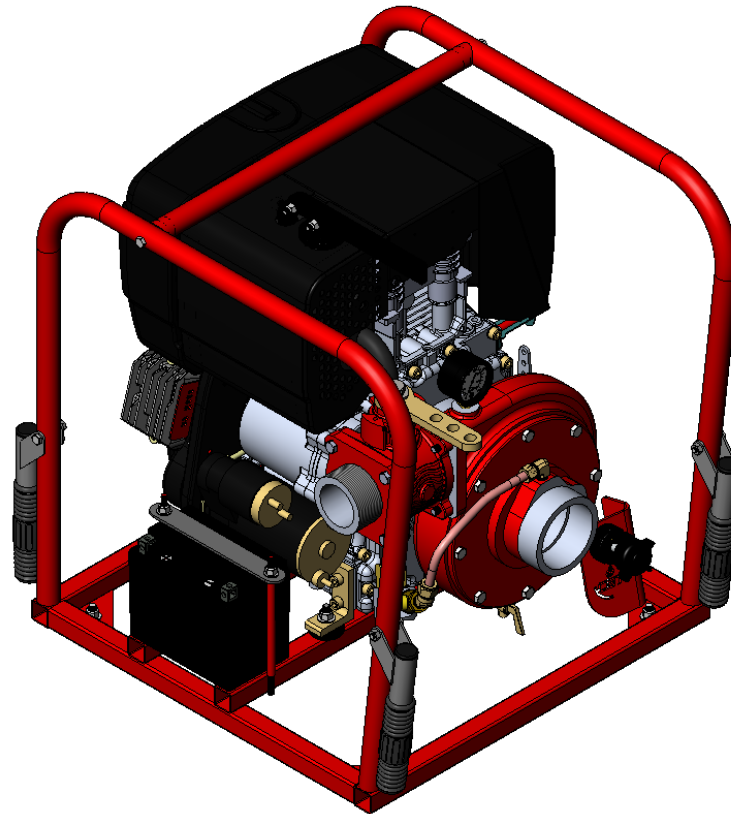
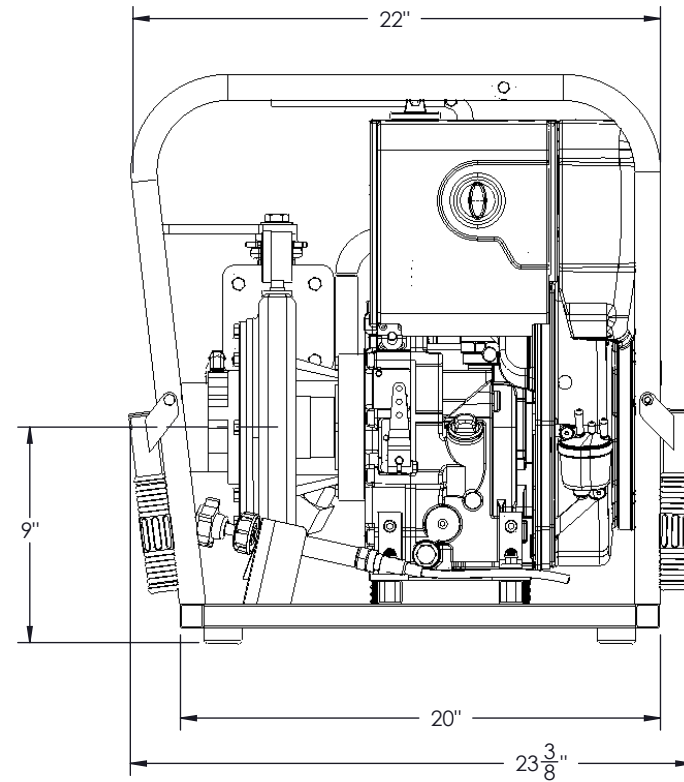
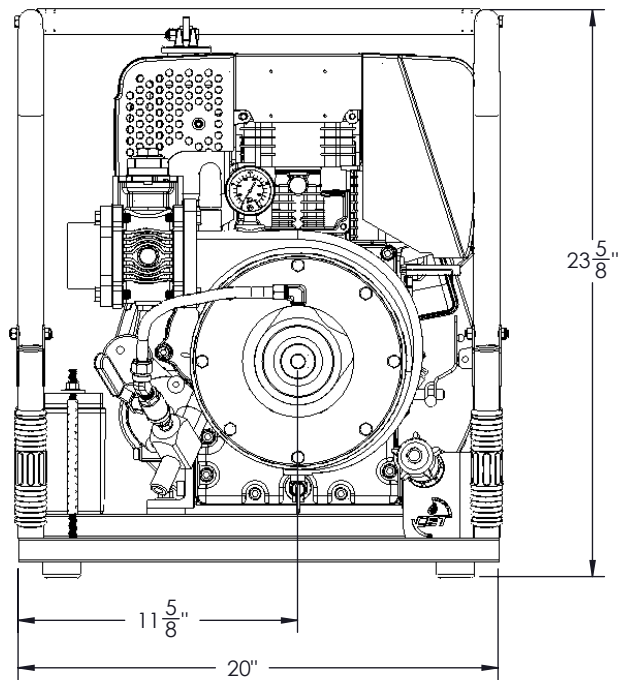


**HIGH VOLUME PORTABLE PUMP**  
**PFP-10hpDSL**  
**9.8hp HATZ HIGH VOLUME**





MATERIAL: -

**FIRE PUMPS MFG**

**TITLE :** PFP-10hpDSL  
FULL FRAME

**WARNING :**  
THIS DOCUMENT REMAINS THE PROPERTY  
OF C.E. THIBAUT LADDERS INC.

SIZE  
A

**VERIFIED BY :** A.B.  
**SCALE :** NA  
**DATE :** 2014-01-14  
**CREATED BY :** M.V.

**No: PO-1411-0701**

ALL REPRODUCTION WITHOUT WRITTEN  
AGREEMENT FROM C.E. THIBAUT  
IS TOTALLY PROHIBITED.

TOLERANCE  
X = 1/16"  
XX = 1/32"  
XXX = 1/64"

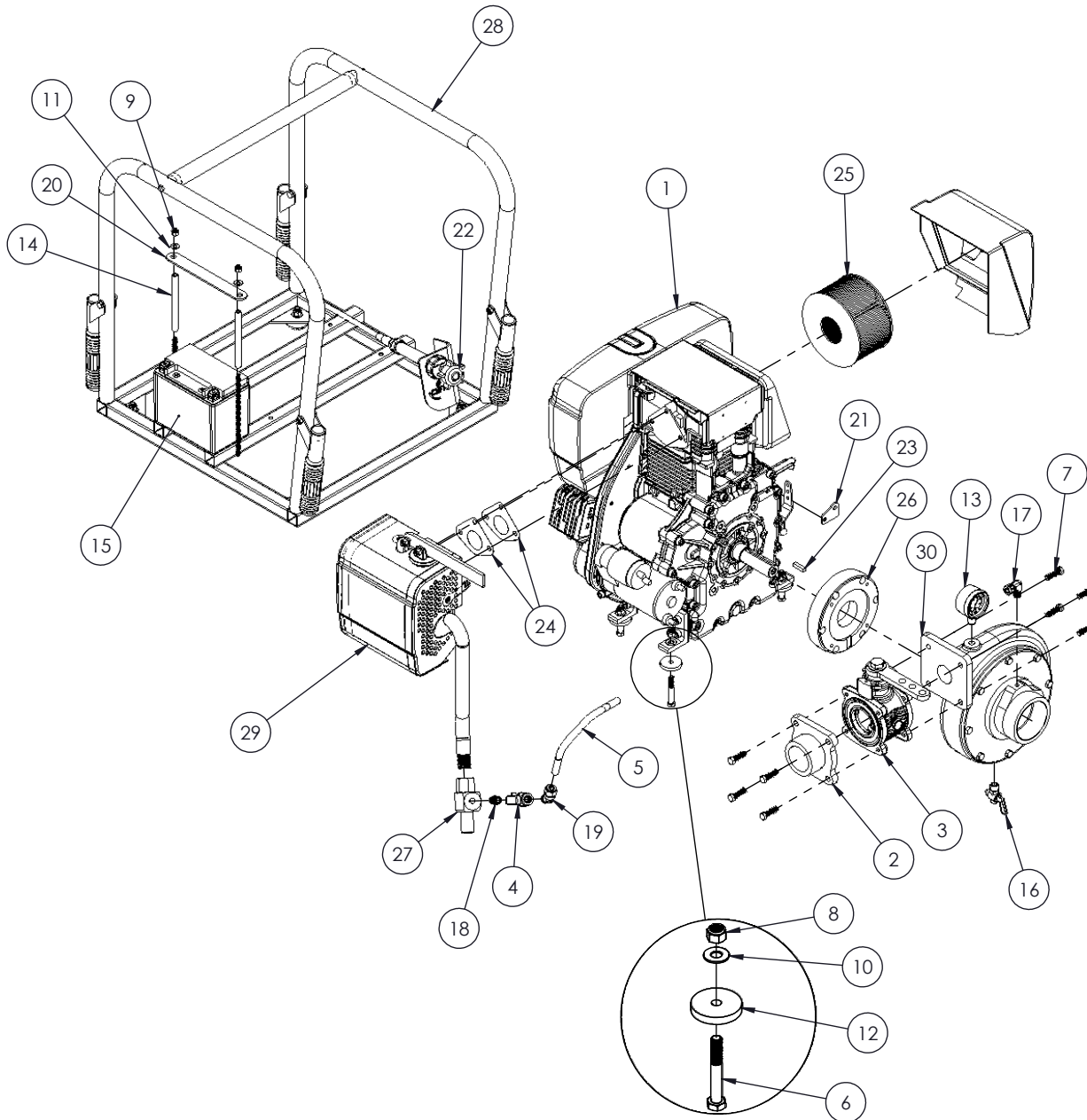
REV.

DESCRIPTION

DATE

BY

2  
4



NO	PART NAME	DESCRIPTION	QTY
1	001-PP1-046	HATZ ENGINE 9.8hp	1
2	002-PP1-302	FLANGE 2-1/2" NPT-M	1
3	005-PP1-012	2" TRIDENT VALVE, ALUMINUM	1
4	005-PP1-205	BALL VALVE 1/4" FPT	1
5	010-PP1-999	COPPER TUBE 3/8" x 8"	1
6	022-PP1-401	HEX. BOLT 5/16"-24 x 2-1/4" (SS)	4
7	022-PP1-404	HEX. BOLT 5/16"-18 x 1-1/4" (SS)	8
8	023-PP1-402	HEX. NYLON LOCK NUT 5/16"-18 (SS)	4
9	023-PP1-410	HEX. NYLON LOCKNUT 1/4"-20 (SS)	2
10	024-PP1-400	FLAT WASHER 5/16" (SS)	4
11	024-PP1-404	FLAT WASHER 1/4" ID x 5/8" OD (SS)	2
12	025-PP1-015	RUBBER WASHER 0.312" INT x 1.5" EXT. x 1/4" TK	4
13	034-PP1-018	DRY GAUGE 0/200psi DIA 2" x 1/4CMB	1
14	040-PP1-005	TUBE for BATTERY ROD 1/4" x 4-3/4" RED	2
15	040-PP1-075	BATTERY 12v	1
16	045-PP1-086	DRAIN VALVE 1/4" PIPE	1
17	045-PP1-132	90deg. ELBOW 3/8" TUBE x 1/4" MPT	1
18	045-PP1-238	HEX. NIPPLE 1/4" MPT	1
19	045-PP1-338	45deg. ELBOW 3/8" TUBE x 1/4" MPT	1
20	057-PP1-267	BATTERY RETAINER PLATE	1
21	057-PP1-302	THROTTLE WIRE BRACKET	1
22	060-PP1-002	THROTTLE CONTROL (6pi)	1
23	060-PP1-163	SHAFT KEY 1/4" UNDERSIZED	1
24	01732701	EXHAUST GASKET	2
25	50484100	AIR FILTER	1
26	PO-0000-3601	ADAPTER	1
27	PO-0000-4101	VENTURY	1
28	PO-1400-1701	FULL FRAME	1
29	PO-1400-5601	PUMP MUFFLER	1
30	PO-1411-2101	PUMP END	1



MATERIAL: -

**FIRE PUMPS MFG**

TITLE : PFP-10hpDSL  
FULL FRAME

No: PO-1411-0701

WARNING : THIS DOCUMENT REMAINS THE PROPERTY OF C.E. THIBAUT LADDERS INC.

ALL REPRODUCTION WITHOUT WRITTEN AGREEMENT FROM C.E. THIBAUT IS TOTALLY PROHIBITED.

SIZE  
A

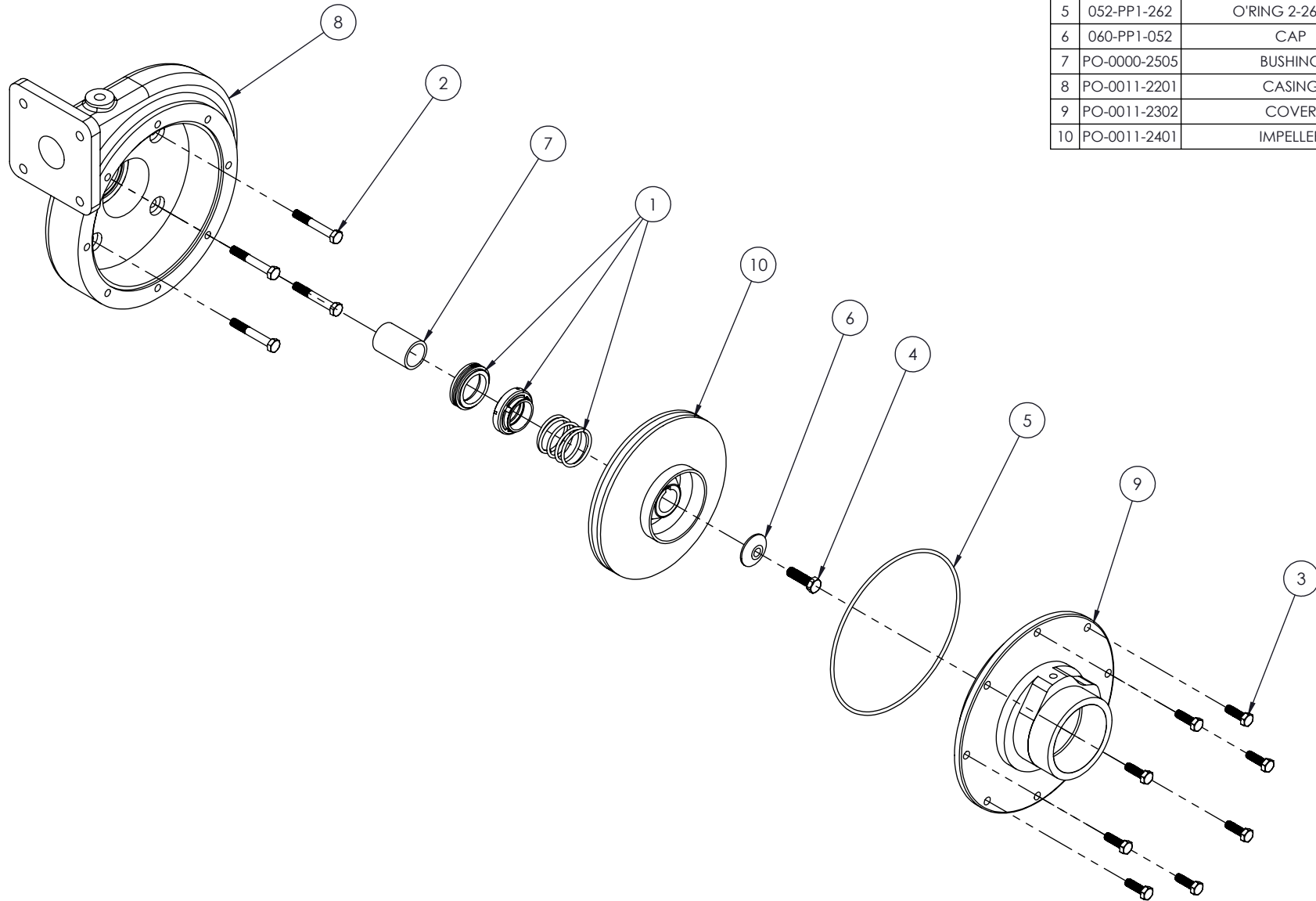
TOLERANCE  
X = 1/16"  
XX = 1/32"  
XXX = 1/64"

3  
4

VERIFIED BY :	SCALE	DATE :	CREATED BY :	No:	REV.	DESCRIPTION	DATE	BY
A.B.	NA	2014-01-14	M.V.	PO-1411-0701				

# PO-1411-0701

NO	PART NAME	DESCRIPTION	QTY
1	020-PP1-001	1.25" T-215 BP1C1 SEALS	1
2	022-PP1-401	HEX. BOLT 5/16"-24 x 2-1/4" (SS)	4
3	022-PP1-403	HEX. BOLT 5/16"-18 x 1" (SS)	8
4	022-PP1-420	HEX. BOLT 3/8"-24 x 1-1/4" (SS)	1
5	052-PP1-262	O'RING 2-268-AB	1
6	060-PP1-052	CAP	1
7	PO-0000-2505	BUSHING	1
8	PO-0011-2201	CASING	1
9	PO-0011-2302	COVER	1
10	PO-0011-2401	IMPELLER	1



MATERIAL: -

**FIRE PUMPS MFG**

**TITLE :** PUMP END  
9.8hp HATZ

**WARNING :**  
THIS DOCUMENT REMAINS THE PROPERTY  
OF C.E. THIBAUT LADDERS INC.

SIZE  
A

**VERIFIED BY :** A.B.  
**SCALE :** NA  
**DATE :** 2014-01-16  
**CREATED BY :** M.V.

**No: PO-1411-0701**

ALL REPRODUCTION WITHOUT WRITTEN  
AGREEMENT FROM C.E. THIBAUT  
IS TOTALLY PROHIBITED.

TOLERANCE  
X = 1/16"  
XX = 1/32"  
XXX = 1/64"

REV.	DESCRIPTION	DATE	BY

4  
4